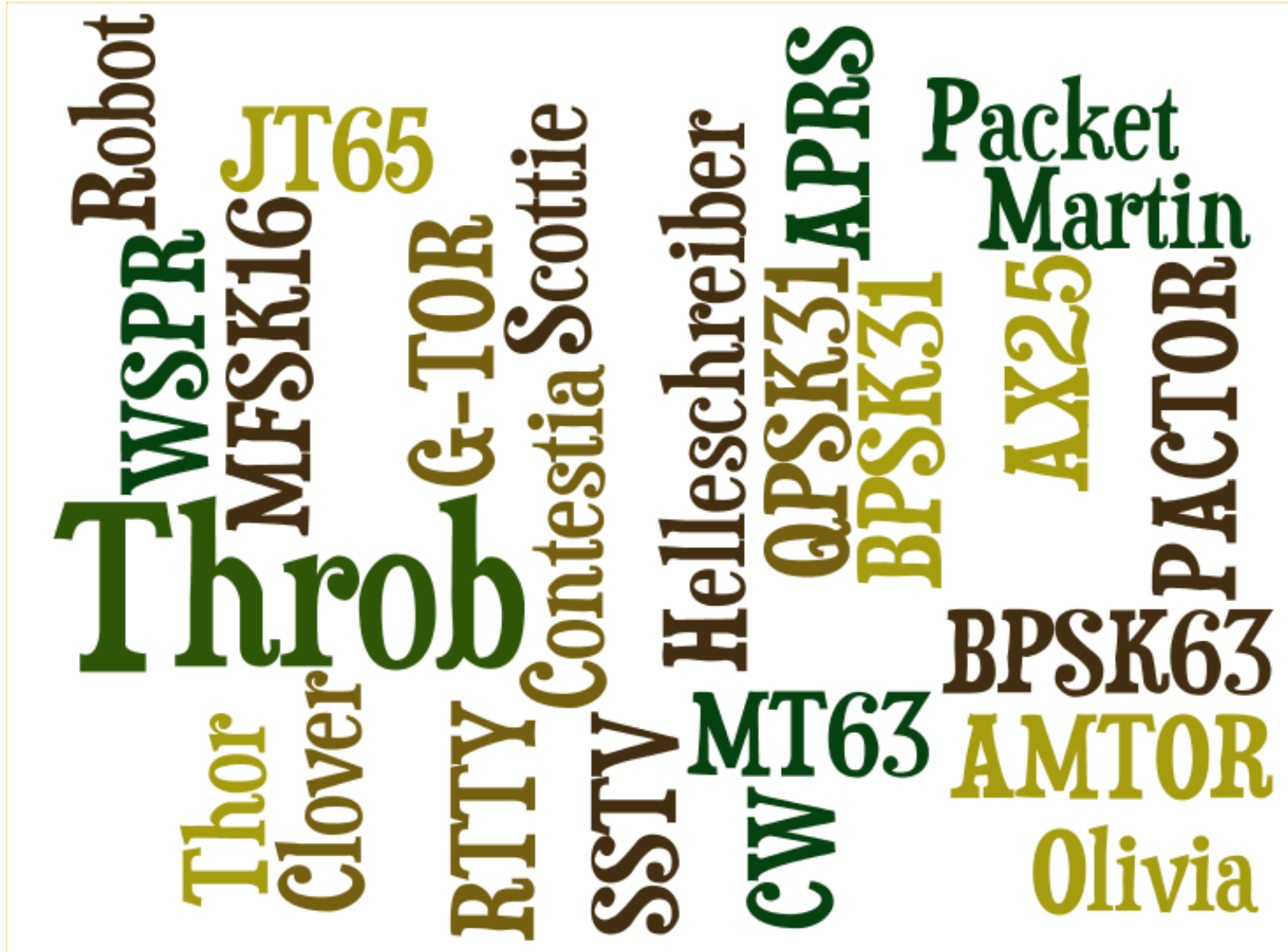


# Data Modes Starter

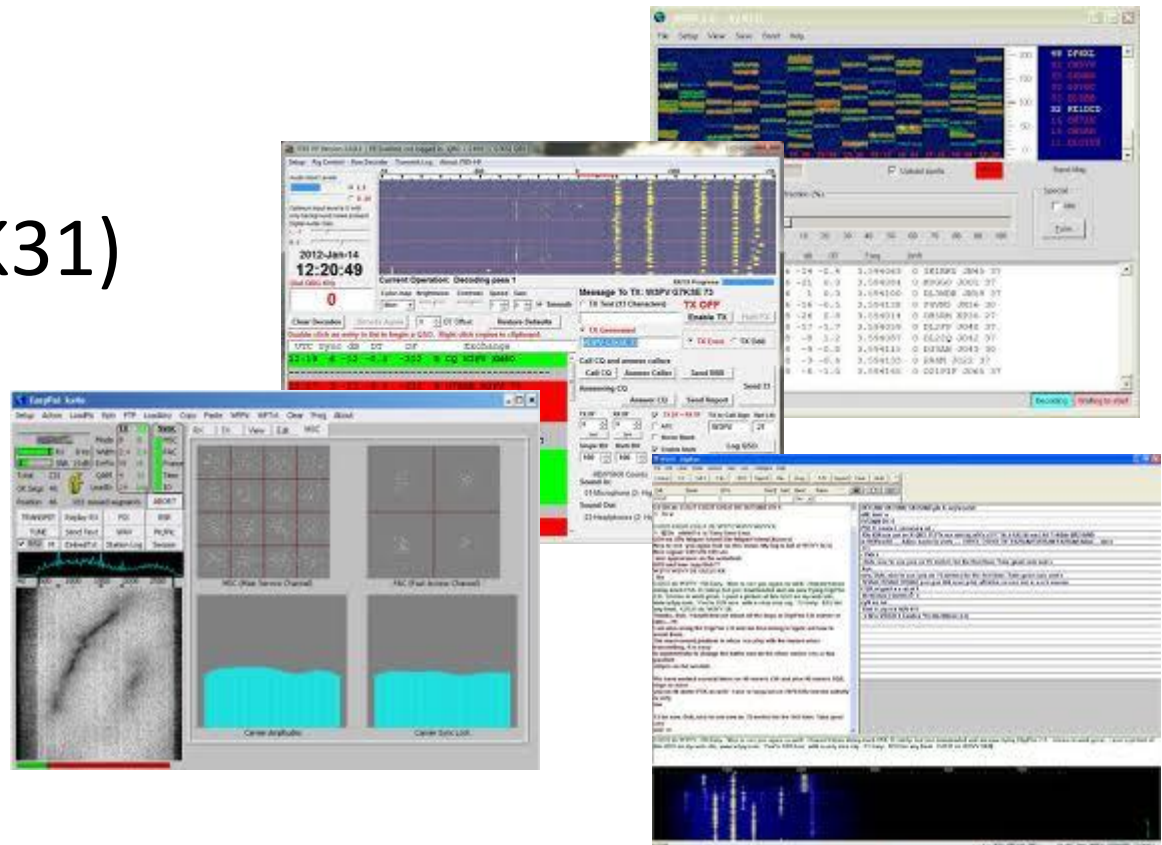
Presented by  
Paul 2E0PSM

# Modes (to name but a few)

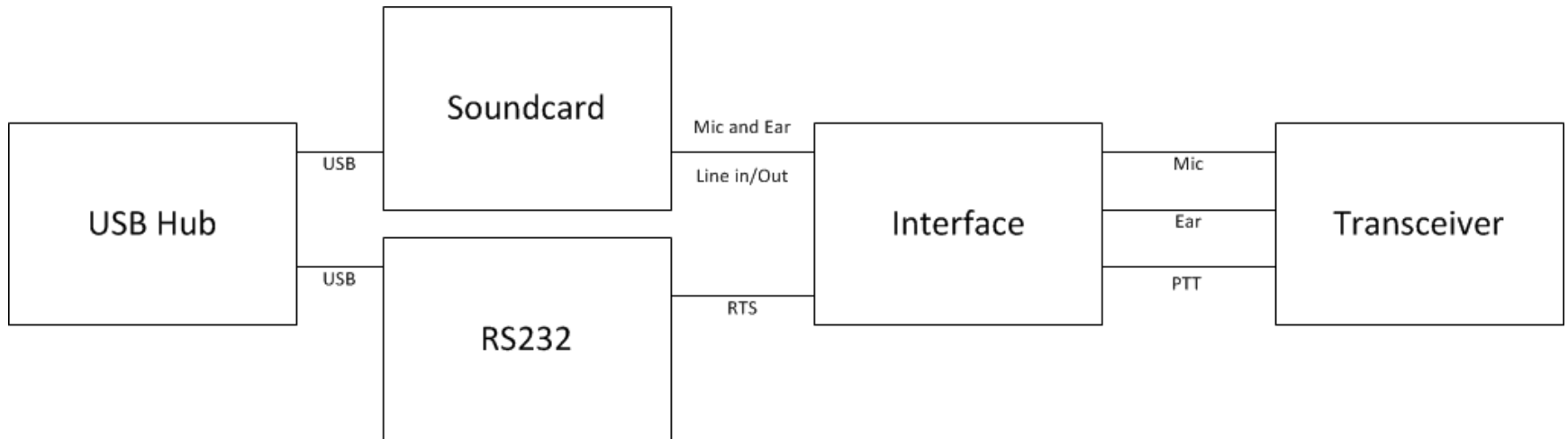


# Software

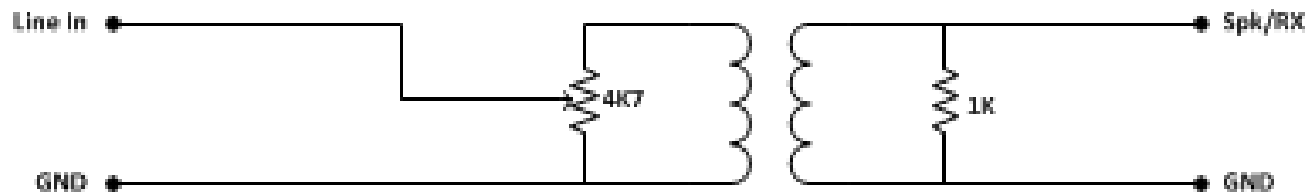
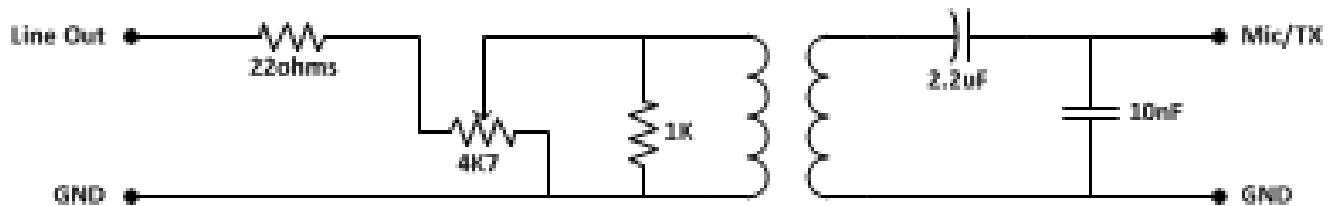
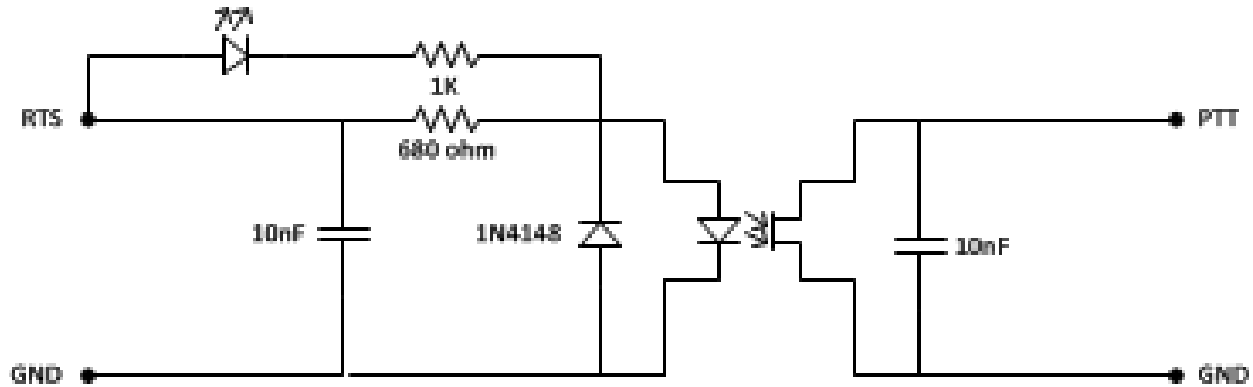
- Ham Radio Deluxe (Multiple Modes including SSTV)
- JT65-HF
- Digipan (PSK31)
- WSPR
- Fldigi
- WinPSK
- EasyPal



# Interfacing Block Diagram



# Interface Circuit



# Ready Made Interfaces

- Rigblaster
- Signalink
- M0AQC



# Audio & Modulation

- Pointers
  - Set ALC to minimal if not off
  - Set AGC to off
  - Turn of all DSP functions
  - Turn down RX/Mic volume input to PC